

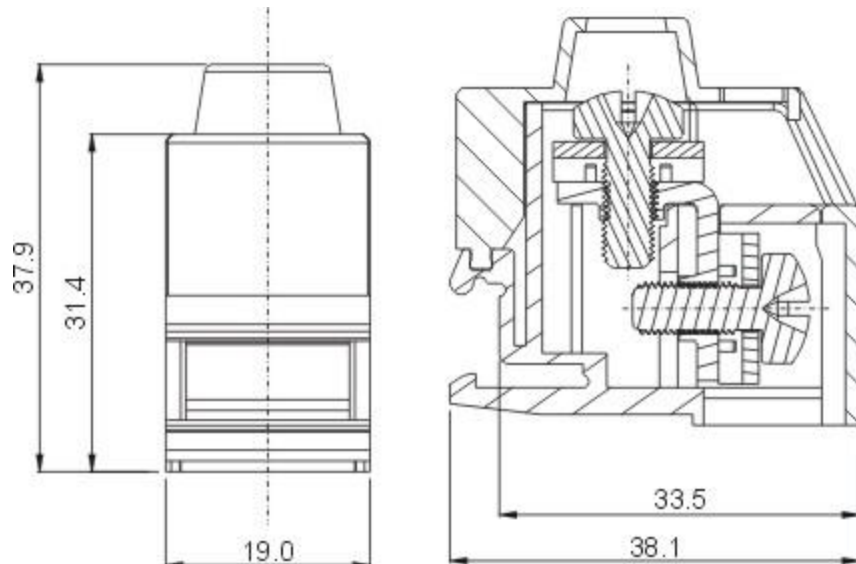


DEGSON ELECTRONICS CO., LTD.

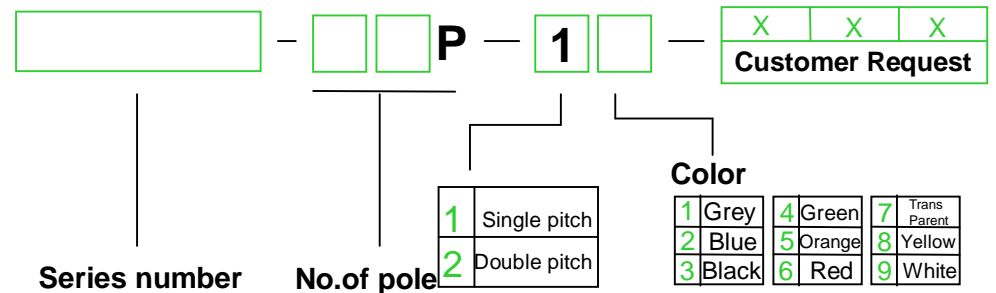
Product Specification



APPROVAL		
Electrical		
Standard	UL	IEC
Rated voltage	300V	750V
Rated current	55A	57A
Wire range	12-6AWG	4.0-10.0mm ²
Withstanding voltage	AC3000V/1Min	
Mechanical		
Torque	1.2Nm(10.5Lb-In)	
Ambient temperature	-40°C~+105°C	
Strip length	8-10mm	
Dimensions		
Pitch	19.0mm(.748")	
Poles	1P	
Material		
Housing	PA66,UL94V-0	
Screws	M5, Steel,Cr ³⁺ Zn plated	
Contact	Copper, Tin plated	



HOW TO ORDER :



	DEGSON ELECTRONICS CO., LTD.
	NAME TS10