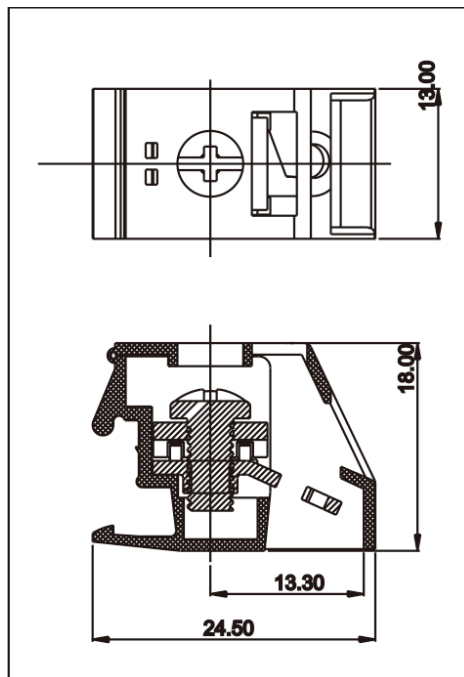
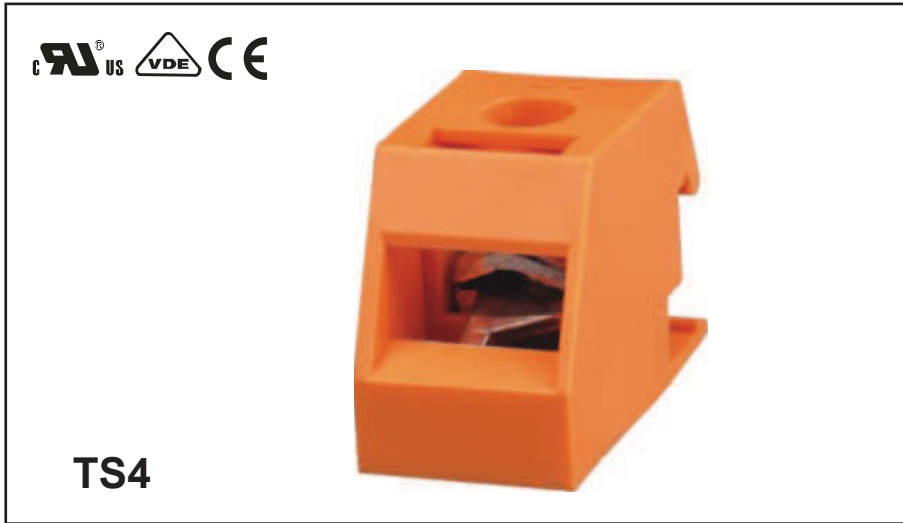




# DEGSON ELECTRONICS CO., LTD.

## Product Specification



<b>APPROVAL</b>		
<b>Electrical</b>		
Standard	<b>UL</b>	<b>IEC</b>
Rated voltage	300V	250V
Rated current	20A	32A
Wire range	20-12AWG	0.75-4.0mm <sup>2</sup>
Withstanding voltage	AC2000V/1Min	
<b>Mechanical</b>		
Torque	1.2Nm(10.5Lb-In)	
Ambient temperature	-40°C~+105°C	
Strip length	8-10mm	
<b>Dimensions</b>		
Pitch	13.0mm(.512" )	
Poles	1P	
<b>Material</b>		
Housing	PA66,UL94V-0	
Screws	M4, Steel,Cr <sup>3+</sup> Zn plated	
Contact	Copper, Tin plated	

### HOW TO ORDER :

-  **P** -  - 

X	X	X
---	---	---

  
Customer Request

Series number      No. of pole      Color

1	Single pitch	1	Grey	4	Green	7	Trans Parent
2	Double pitch	2	Blue	5	Orange	8	Yellow
3		3	Black	6	Red	9	White

 mm (INCH)	 <b>DEGSON ELECTRONICS CO., LTD.</b>
 THROANGLE PROJECTION	<b>NAME</b> <b>TS4</b>